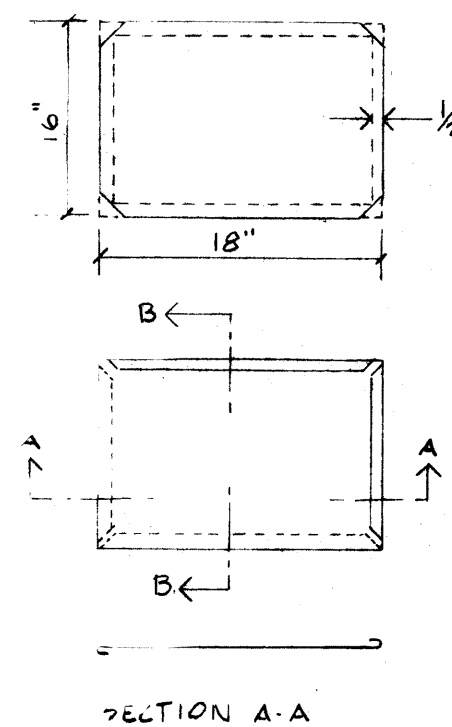
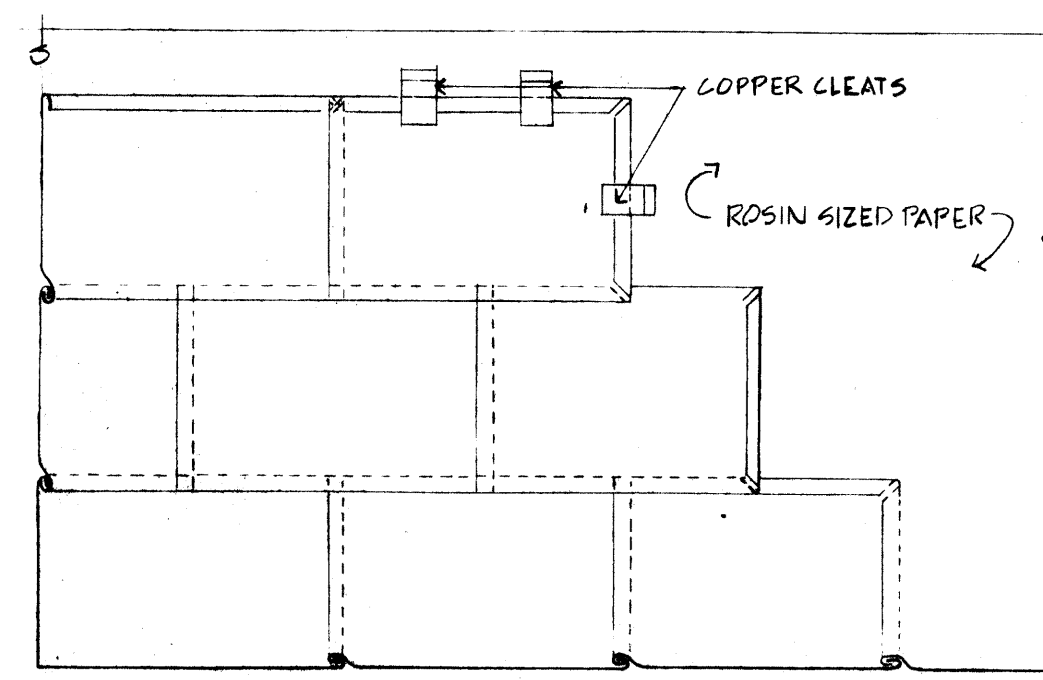


1 ENTRY VESTIBULE ROOF PLAN
4'-11-0"

- ROOFING NOTES
1. ROOF PANS SHALL BE 16 OZ. LEAD COATED COPPER, 16" X 18" OVERALL PAN SIZE, WITH 1/2" FOLDED EDGES. PROVIDE 3-2" COPPER CLEATS ON TWO ADJACENT EDGES OF PAN. SEE DETAIL (2).
 2. ALL BEAMS SHALL BE LOCKED AND SOLDERED.

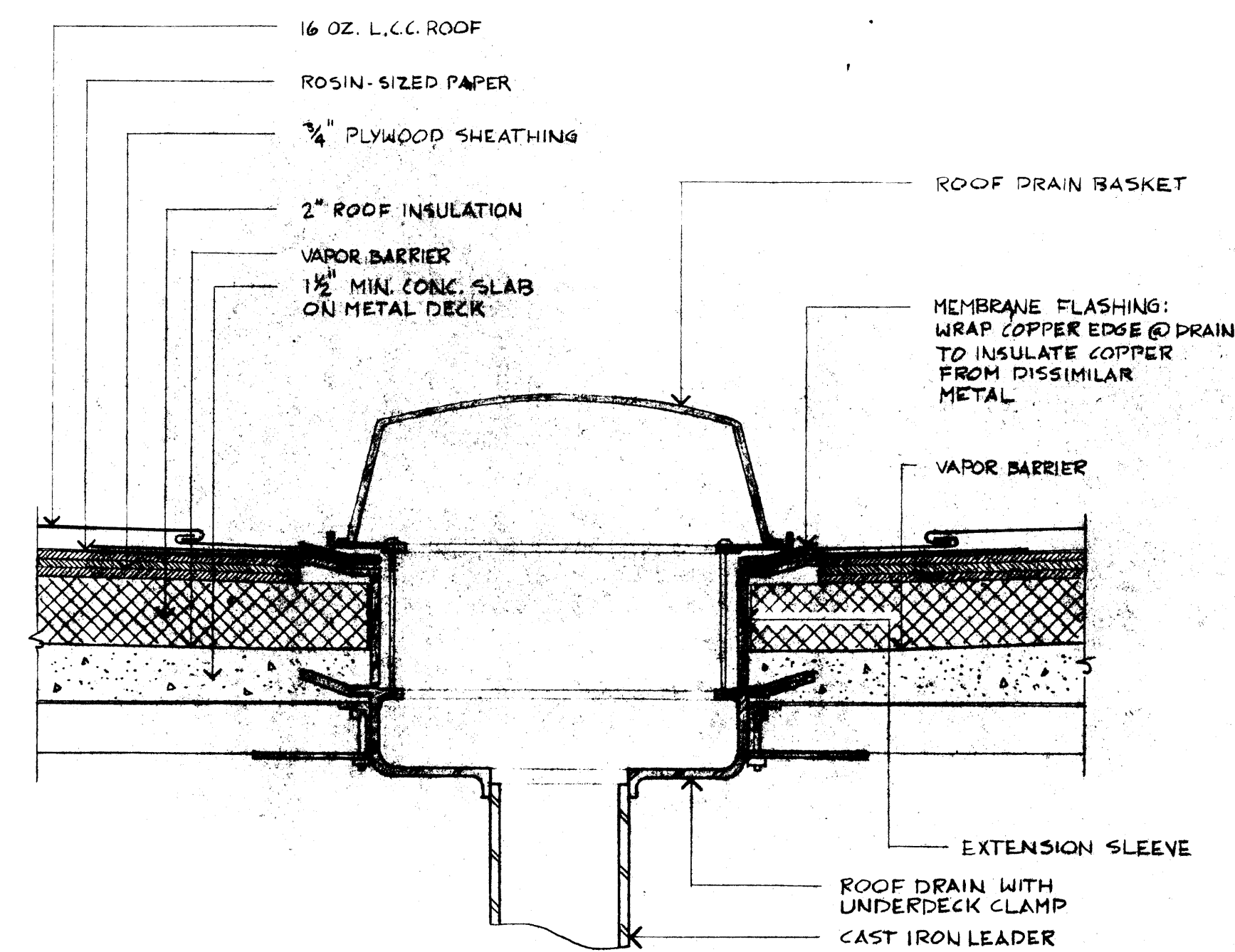


SECTION A-A

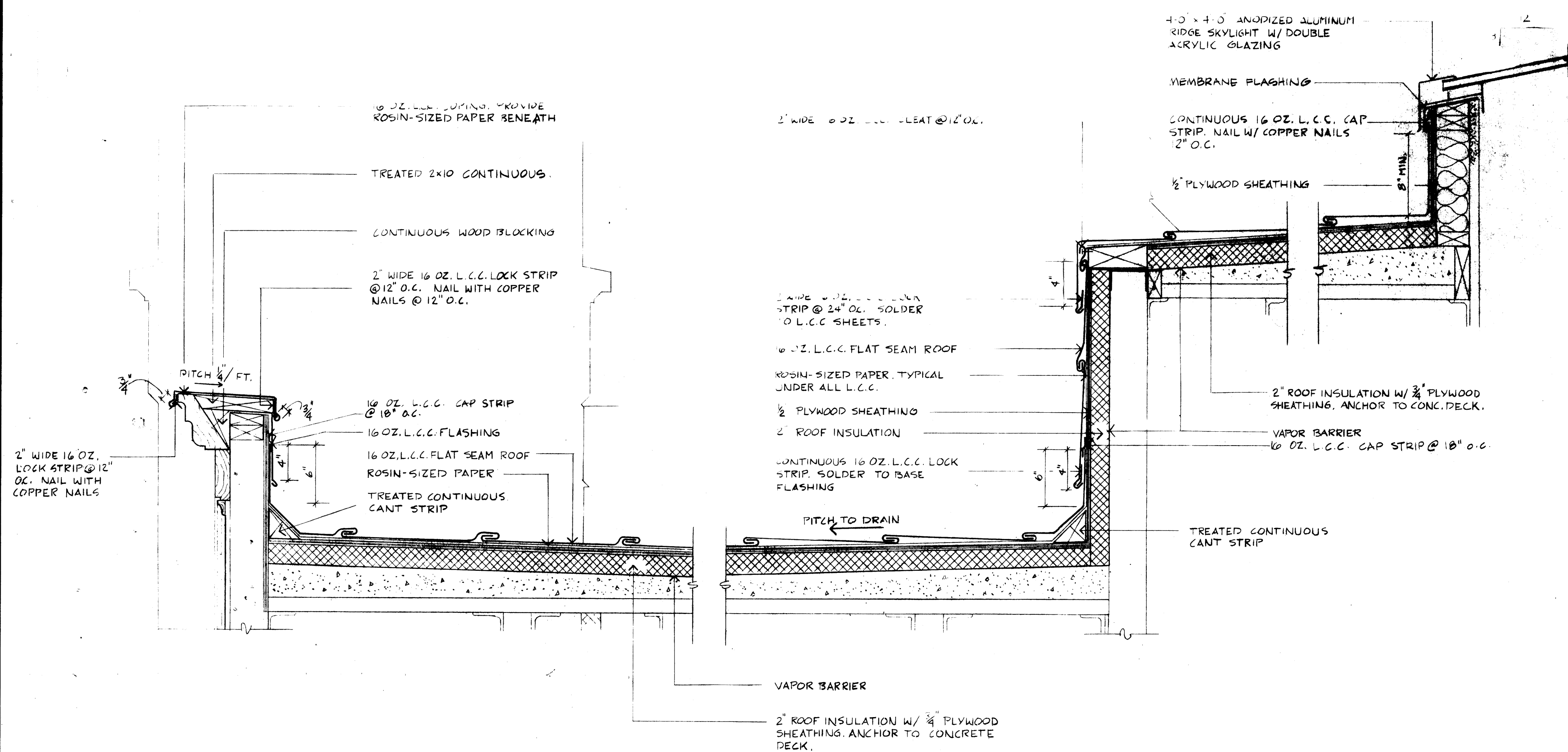


SECTION B-B

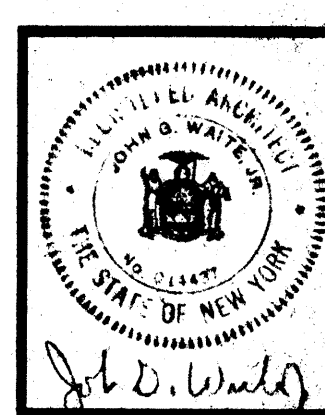
2 TYPICAL FLAT SEAM PAN
NOT TO SCALE



3 ROOF DRAIN
3'-11-0"



4 ROOF SECTION THRU EAST ENTRY
1 1/2'-0"



FLAT SEAM
ROOF DETAILS

MENDEL · MESICK · COHEN · WAITE · HALL · ARCHITECTS
388 BROADWAY
ALBANY, NEW YORK 12207

RESTORATION OF
ONTARIO COUNTY COURT HOUSE
CAMANDAIGUA, NEW YORK

SCALE	A-S
NOTES	
COMMISSION NO.	880 B
DRAWN BY	J.D.
DATE	APRIL 1968
REVISED	